

## Introduction

The 124-1 DC Actuator Power Supply (part number 124-1) powers a DC linear actuator to position air inlets in a ventilation control system. PHASON recommends using a Grainger # 5A652, von Weise (Fasco) # V00099BA76, or similar DC linear actuator. The power supply can be controlled by an inlet positioning control.

A 36V DC linear actuator will position slower and with more accuracy when connected to an 18V DC supply, but will not have the maximum rated thrust.

There is sufficient room in the enclosure to mount two optional power contactor kits. Use contactors if you require higher electrical ratings.

## Electrical Ratings

INPUT: 120V AC, 1 Amp  
OUTPUT:  $\pm 18V$  DC @ 3 Amps, 50% duty cycle  
FUSE: 5 Amp 250V slow blow

## Installation

**CAUTION:** Turn off the power before doing any wiring.

**Warning:** The DC Actuator Power Supply should be installed by a qualified electrician.

1. Mount the actuator and the power supply in an acceptable location.
2. Connect the power supply according to the diagram in **Figure 1**.

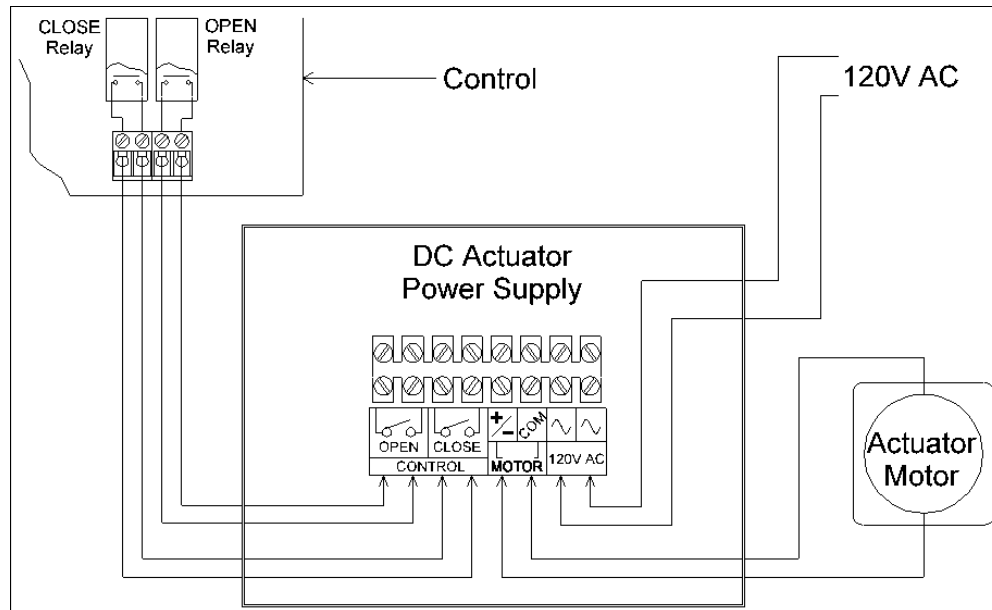


Figure 1: Wiring Diagram

**Phason, Inc.**  
2 Terracon Place  
Winnipeg, Manitoba, Canada  
R2J 4G7

Phone: 204-233-1400  
Fax: 204-233-3252