

Phason Wireless Adapter (PWA)

Avoid running cable, use wireless RS485 communication

Why run cable when you can use wireless? Phason's line of wireless adapters are for customers who want to avoid running communication cable between buildings, or to remote, hard-to-get-to devices or locations.

Phason Wireless Adapters have a line-of-sight range of 1 mile, and an indoor range of up to 300 feet. The indoor range can vary depending on the building structure and interference from other electrical devices.



Features

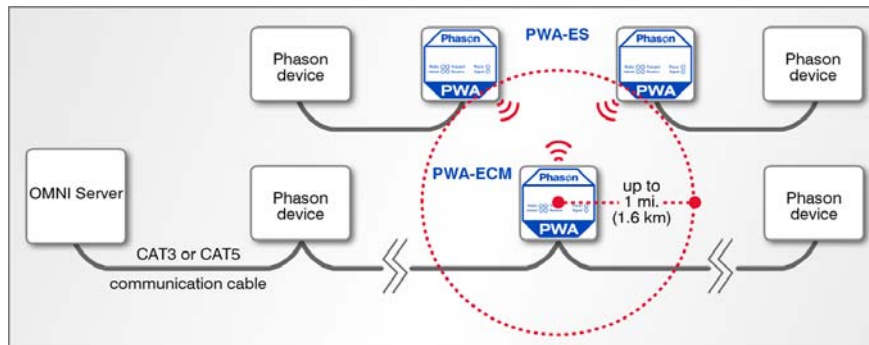
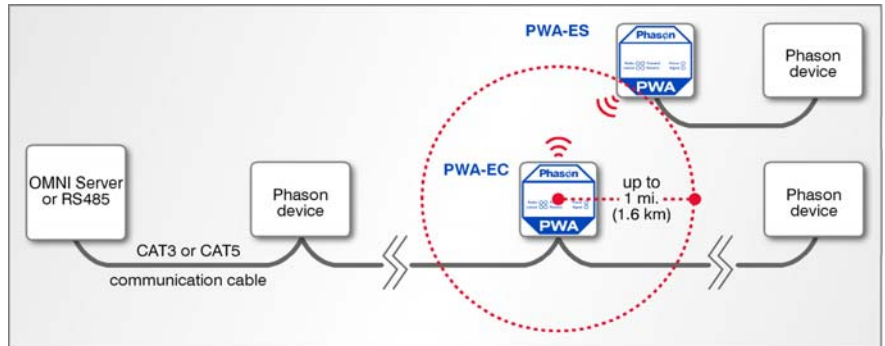
- ◆ Outdoor, line-of-sight range of up to 1 mile
- ◆ Indoor range of up to 300 feet
- ◆ Quick and easy installation
- ◆ Multiple 12 VDC power options (sold separately):
 - ◆ Draw power from a Phason device
 - ◆ Use a Phason Regulated Power Supply (RPS)
 - ◆ Use a plug-in adapter that provides between 9 and 14 VDC, such as the Phason PA12-800
- ◆ Rugged enclosure (corrosion resistant, water resistant, and fire retardant)
- ◆ 90-day limited warranty

Single- and multi-point models

PWA-EC

Single-point coordinator

The single-point coordinator communicates with the RS485 Converter (or OMNI Server) and one standard unit. This unit works with all Phason systems.



PWA-ECM

Multi-point coordinator

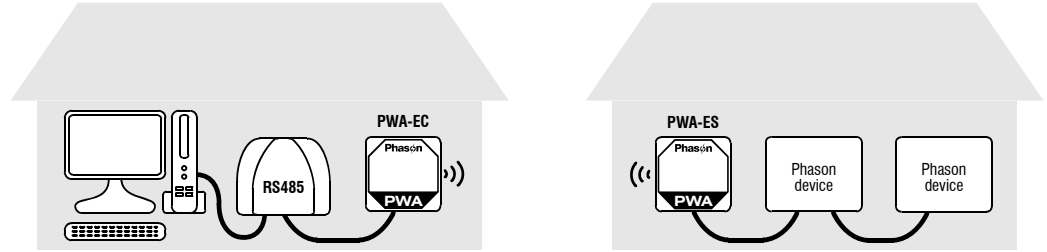
The multi-point coordinator communicates with the OMNI Server and up to 32 standard units. This unit works with **OMNI-Select** systems only.

Typical applications and examples

Typical applications include using Phason Wireless Adapters in place of expensive trenching of underground CAT5 cable. The Wireless Adapters are also ideal for reaching devices that are normally mounted outside or in remote locations, such as See Level Sensors or Feed Level Sensors. The Wireless Adapters work with all Phason networkable devices except OMNI Power Blocks.

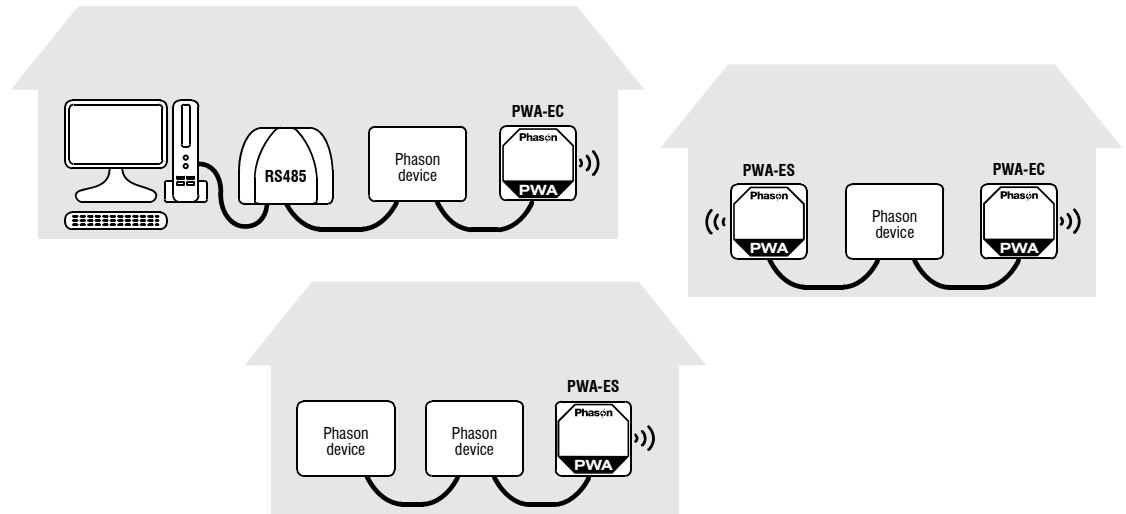
Example 1

Single communication channel, single extender module



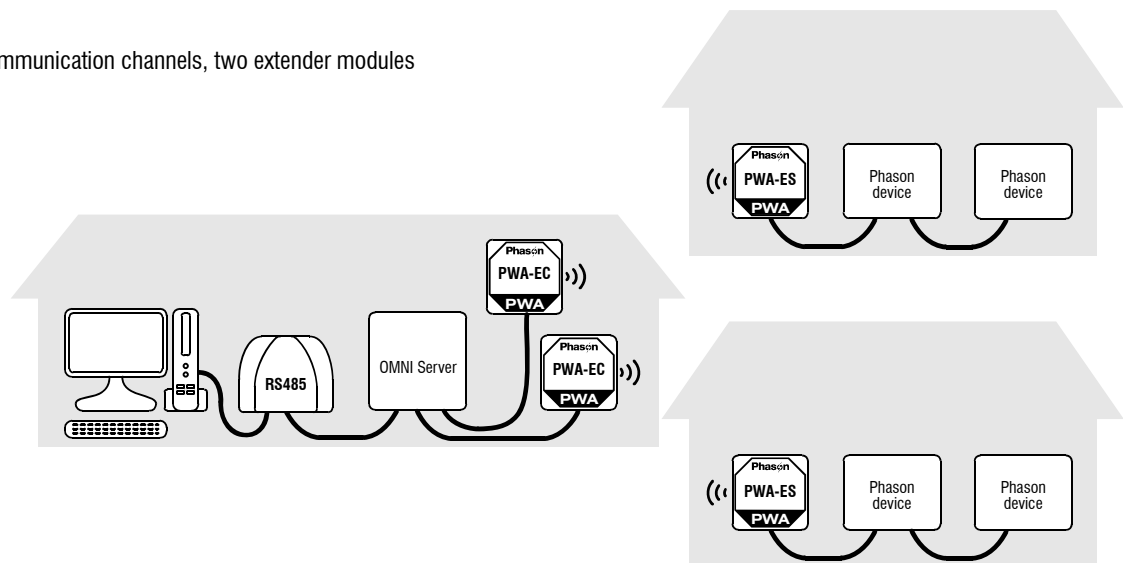
Example 2

Single communication channel, two extender modules



Example 3

Two (or more) communication channels, two extender modules



Additional information

For more information about Phason products, contact your dealer or visit www.phason.ca.