

## AutoFlex Connect III Display Kit

This guide explains how to install the AutoFlex Connect III Display kit (models **KAFXC3-DISPLAY**, **KAFXC3S-DISPLAY**, **KAFXMC3-DISPLAY**). The kit is for all models of AutoFlex Connect III controls.

### Overview

This is an overview of the replacement process. Follow the steps in the order listed:

- A. Backup database and shut down the control
- B. Remove the noise shield
- C. Remove the old display
- D. Install the new display
- E. Verify operation and close the control



### Installation

#### A. Backup database and shut down the control



If you can access the menus at the control or from a web browser, start at section A.  
If you cannot access the menus, start at section B.

##### 1. Backup the database

From the control's home screen, press Main Menu → Administration → Diagnostics → Backup Database. When the message *"Do you want to back up your database?"* displays, press Yes.

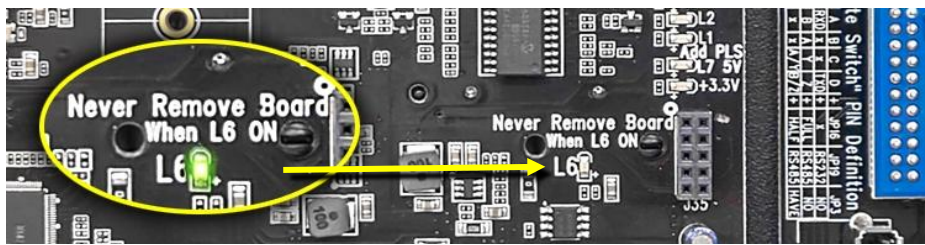
##### 2. Shut down the display

On the Configuration screen, press Shut Down Display. The control goes through a shutdown process. When the message *"It is now safe to turn off the control."* displays, proceed to the next step.

#### B. Remove the noise shield

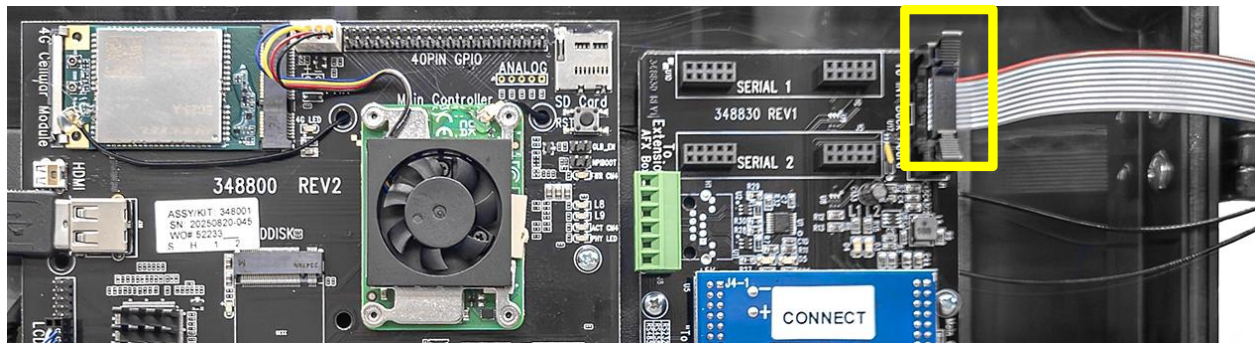
1. Loosen the screws on the right side of the front cover and then open the control.
2. Loosen the four screws located at the corners of the noise shield. Do not remove the screws completely.
3. Slide the noise shield up and then carefully pull it out.
4. Switch off the power using the power switch on the bottom board.

- Wait for the green LED (L6) on the SBC board to turn off. This may take 2 to 3 minutes.

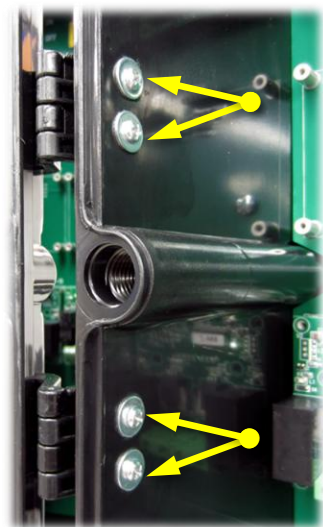


### C. Remove the old display

- Make sure the green light in step 5 from section B is off.
- Unplug the ribbon cable that connects the display to the mounting board.

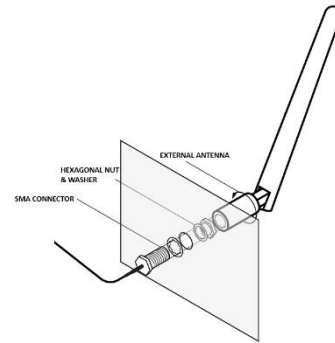


- Unscrew each external antenna. Set them aside safely.
- Remove the nut that is securing the antenna SMA connector to the enclosure.
- Set aside the nut and washers.
- Carefully pull the antenna cable back through the hole in the enclosure.
- Remove the two screws and washers from each of the hinges on the enclosure. Start with the bottom hinge and continue to the top.
- Place the old display aside.



## D. Install the new display

1. Have someone align and hold the display in place while you fasten each hinge to the base using two washers and two screws. Start at the top hinge and then work downward.
2. Connect the ribbon cable from the mounting board to the Communications Controller board.
3. Insert the antenna SMA connector through the hole in the enclosure.
4. Using a wrench, fasten the SMA connector in place with the retaining nut and washer.
5. Fasten the external antennas.
6. Verify all wires, cables and USB drives are properly connected.



## E. Verify operation and close the control

1. Start the control and verify proper operation.
2. Once you have verified proper operation, place the noise shield over the four screws and then slide it down so that the screws hold it in place.
3. Tighten the four screws.
4. Close the cover of the control and then tighten the enclosure screws.